

GLOW SYSTEM

16400010029

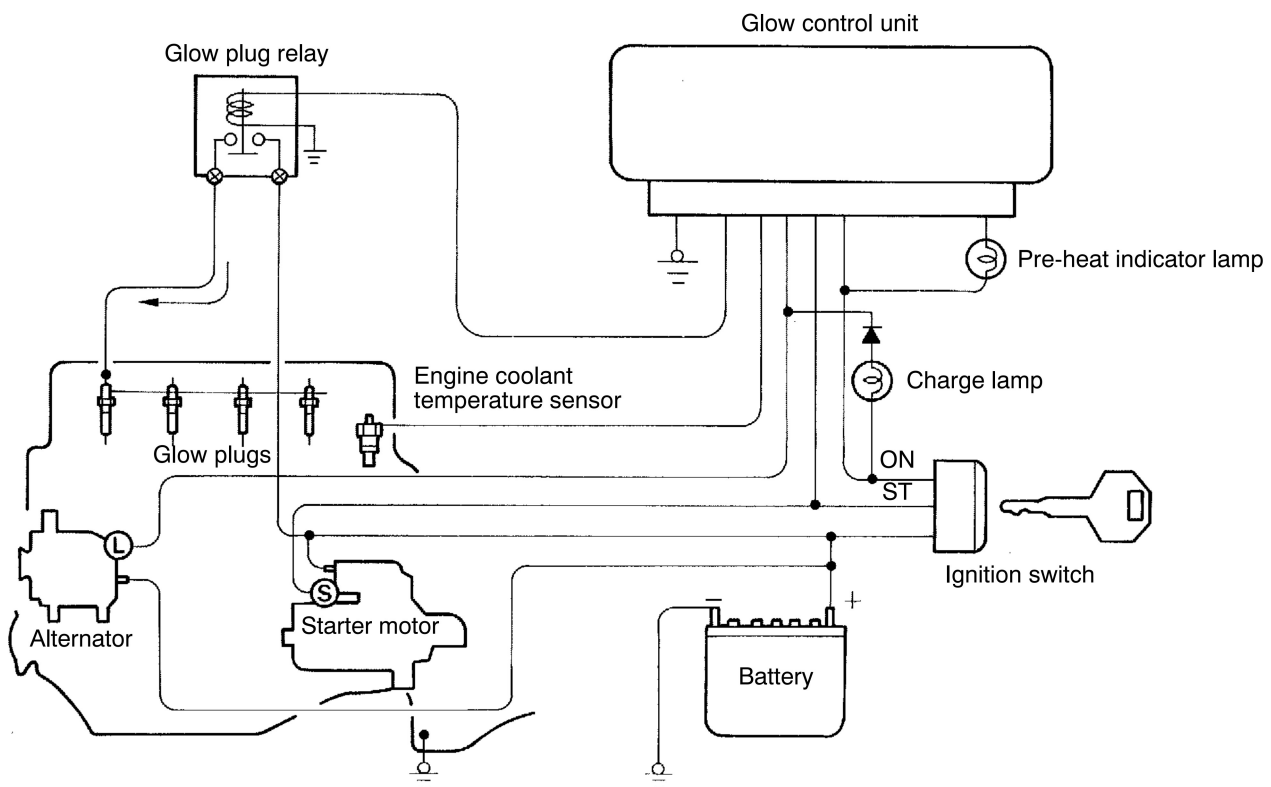
GENERAL INFORMATION

SELF-REGULATING GLOW SYSTEM

The self-regulating glow system reduces the time required for starting at low temperatures to provide a degree of starting and operation that is identical to petrol-engine vehicles by preheating the glow plugs at super-quick speed.

The glow control unit controls both the time during which current is supplied to the glow plugs after the ignition switch is turned to the ON position and

also the glow indicator lamp illumination time in accordance with the engine coolant temperature. The resistances of the heating coils which are built into the glow plugs increase as the glow plug temperatures become higher. As a result of this, the flow of current gradually decreases, thus stabilizing the glow plug temperature at the specified temperature.



DEN0062